

2020

Product catalog

BEIJING KTIA

Replaceable Tip Drills

1.5XD, 3XD, 5XD, 8XD & 12XD Drills





- Drill radial runout less than 8um.
- Hole tolerance: • 5D and less ratio: less than +0.02mm.
- 8D and larger ratio: less than +0.1mm.

Features & Benefits

- 1.5xD, 3xD, 5xD, 8xD, 12xD are available.
- Drill diameters are from 12mm to 32mm.
- Match with Mechin, Dormer and Sumitomo inserts.
- Various insert geometries for different materials.
Balchas coatings
- High strength alloy steel drill body.
- Double internal oil coolant holes.
- Round shank with flat.

P	M	K	N	S	H
---	---	---	---	---	---

TCEA geometry is suitable for stainless steel, soft steel, gray cast iron, and low rigidity setups.

TCPA geometry is suitable for general steel.

TCFA geometry is suitable for drilling non-flat surface.

1.5X Diameter



3X Diameter



5X Diameter



8X Diameter



12X Diameter



TCEA geometry is suitable for stainless steel, soft steel, gray cast iron, and low rigidity setups.

TCPA geometry is suitable for general steel.

TCFA geometry is suitable for drilling non-flat surface.

- Much stable than other structure exchangeable tip drills.
- Much higher precision against high speed drilling.
- Higher rigidity and toughness against new holder material.
- Stronger adaptability for different processing conditions.

- ★ Toothed occlusal structure with two screw fixing.
- ★ Various insert geometries optional.
- ★ Up to 12 x diameter drilling depth.
- ★ Internal coolant with high strength alloy steel body.
- ★ Separate drill tip design with 140 degree.

TC 03 - 120 - XP 16

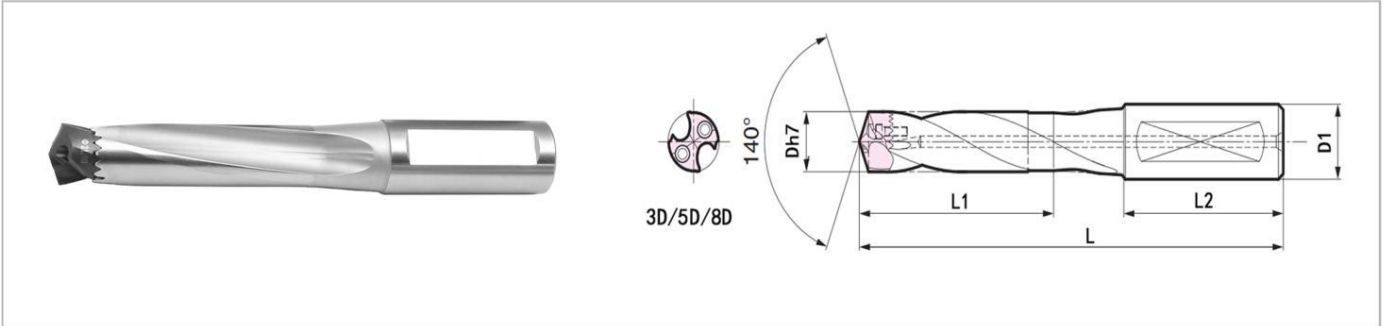
Replaceable Tip

03	3D
05	5D
08	8D
12	12D

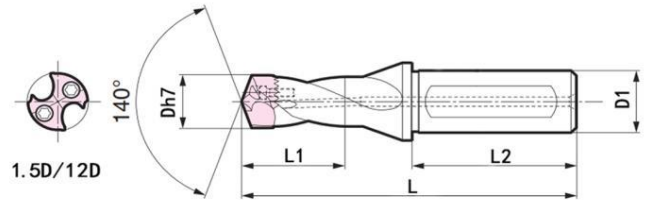
Drill
Diameter

Shank type
XP=Round Weldon

Shank Diameter
16
20
25
32



Diameter(D)	3D		5D		8D		Shank Sizes		Screw	Key			
	Code	Sizes		Code	Sizes		Code	Sizes					
		L1	L		L1	L		L1			L	L2	D1
12.0 ≤ D < 12.5	TC03-120-XP16	46	107	TC05-120-XP16	71	132	-	-	-	48	16	M2.2*8	T6
12.5 ≤ D < 13.0	TC03-125-XP16	46	107	TC05-125-XP16	71	132	-	-	-	48	16		
13.0 ≤ D < 13.5	TC03-130-XP16	49	112	TC05-130-XP16	76	142	-	-	-	48	16		
13.5 ≤ D ≤ 14.5	TC03-140-XP16	55	119	TC05-140-XP16	84	149	TC08-140-XP16	127	194	48	16		
14.5 < D ≤ 15.5	TC03-150-XP20	58	129	TC05-150-XP20	89	159	TC08-150-XP20	136	204	50	20	M2.5*9	T8
15.5 < D ≤ 16.5	TC03-160-XP20	62	134	TC05-160-XP20	95	169	TC08-160-XP20	144	214	50	20		
16.5 < D ≤ 17.5	TC03-170-XP20	66	140	TC05-170-XP20	101	175	TC08-170-XP20	154	225	50	20		
17.5 < D ≤ 18.5	TC03-180-XP20	70	145	TC05-180-XP20	107	180	TC08-180-XP20	162	230	50	20		
18.5 < D ≤ 19.5	TC03-190-XP25	73	160	TC05-190-XP25	112	195	TC08-190-XP25	171	255	56	25	M3.0*11	T8
19.5 < D ≤ 20.5	TC03-200-XP25	77	160	TC05-200-XP25	118	200	TC08-200-XP25	179	270	56	25		
20.5 < D ≤ 21.5	TC03-210-XP25	80	160	TC05-210-XP25	123	200	TC08-210-XP25	188	266	56	25		
21.5 < D ≤ 22.8	TC03-220-XP25	84	165	TC05-220-XP25	129	205	TC08-220-XP25	196	275	56	25		
22.8 < D ≤ 23.8	TC03-230-XP25	81	165	TC05-230-XP25	134	215	TC08-230-XP25	205	285	56	25	M3.5*12	T15
23.8 < D ≤ 24.8	TC03-240-XP32	91	175	TC05-240-XP32	140	225	TC08-240-XP32	213	300	60	32		
24.8 < D ≤ 25.8	TC03-250-XP32	93	175	TC05-250-XP32	145	230	TC08-250-XP32	222	305	60	32	M4.0*14	T15
25.8 < D ≤ 26.8	TC03-260-XP32	97	180	TC05-260-XP32	151	235	TC08-260-XP32	230	315	60	32		
26.8 < D ≤ 27.8	TC03-270-XP32	99	180	TC05-270-XP32	156	245	TC08-270-XP32	239	325	60	32		
27.8 < D ≤ 28.8	TC03-280-XP32	102	185	TC05-280-XP32	162	245	TC08-280-XP32	247	330	60	32		
28.8 < D ≤ 29.8	TC03-290-XP32	105	190	TC05-290-XP32	167	250	TC08-290-XP32	256	340	60	32	M4.5*15	T15
29.8 < D ≤ 30.8	TC03-300-XP32	110	191	TC05-300-XP32	173	261	TC08-300-XP32	265	351	60	32		
30.8 < D ≤ 32.0	TC03-320-XP32	116	201	TC05-320-XP32	181	266	TC08-320-XP32	276	361	60	32		
32.0 < D ≤ 33.5	TC03-335-XP32	121	206	TC05-335-XP32	191	276	TC08-335-XP32	291	376	60	32		
33.5 < D ≤ 35.0	TC03-350-XP32	126	221	TC05-350-XP32	201	296	TC08-350-XP32	306	401	70	40	M5*15	T20
35.0 < D ≤ 36.5	TC03-365-XP32	132	227	TC05-365-XP32	207	302	TC08-365-XP32	317	412	70	40		
36.5 < D ≤ 38.0	TC03-380-XP32	137	232	TC05-380-XP32	217	312	TC08-380-XP32	332	427	70	40		
38.0 < D ≤ 39.5	TC03-395-XP32	142	237	TC05-395-XP32	227	322	TC08-395-XP32	342	437	70	40		
39.5 < D ≤ 41.0	TC03-410-XP32	152	252	TC05-410-XP32	232	332	TC08-410-XP32	357	457	70	40		
41.0 < D ≤ 42.5	TC03-425-XP32	158	258	TC05-425-XP32	243	343	TC08-425-XP32	368	468	70	40		



Diameter(D)	1.5D			12D			Shank Sizes		Screw	Key
	Code	Sizes		Code	Sizes		Sizes			
		L1	L		L1	L	L2	D1		
12.0 ≤ D < 12.5	TC1.5-120-XP16	28	91	-	-	-	48	16	M2.2*8	T6
12.5 ≤ D < 13.0	TC1.5-125-XP16	28	91	-	-	-	48	16		
13.0 ≤ D < 13.5	TC1.5-130-XP16	30	92	-	-	-	48	16		
13.5 ≤ D ≤ 14.5	TC1.5-140-XP16	34	96	TC12-140-XP16	171	239	48	16		
14.5 < D ≤ 15.5	TC1.5-150-XP20	35	100	TC12-150-XP20	183	253	50	20	M2.5*9	T8
15.5 < D ≤ 16.5	TC1.5-160-XP20	38	103	TC12-160-XP20	195	266	50	20		
16.5 < D ≤ 17.5	TC1.5-170-XP20	39	105	TC12-170-XP20	207	278	50	20		
17.5 < D ≤ 18.5	TC1.5-180-XP20	43	107	TC12-180-XP20	219	291	50	20	M3.0*11	T8
18.5 < D ≤ 19.5	TC1.5-190-XP25	44	115	TC12-190-XP25	232	309	56	25		
19.5 < D ≤ 20.5	TC1.5-200-XP25	47	118	TC12-200-XP25	244	321	56	25		
20.5 < D ≤ 21.5	TC1.5-210-XP25	48	119	TC12-210-XP25	256	334	56	25	M3.5*12	T15
21.5 < D ≤ 22.8	TC1.5-220-XP25	51	121	TC12-220-XP25	268	347	56	25		
22.8 < D ≤ 23.8	TC1.5-230-XP25	51	122	TC12-230-XP25	280	359	56	25		
23.8 < D ≤ 24.8	TC1.5-240-XP32	54	129	TC12-240-XP32	292	376	60	32	M4.0*14	T15
24.8 < D ≤ 25.8	TC1.5-250-XP32	54	129	TC12-250-XP32	305	388	60	32		
25.8 < D ≤ 26.8	TC1.5-260-XP32	57	132	-	-	-	60	32		
26.8 < D ≤ 27.8	TC1.5-270-XP32	58	133	-	-	-	60	32	M4.5*15	T15
27.8 < D ≤ 28.8	TC1.5-280-XP32	60	135	-	-	-	60	32		
28.8 < D ≤ 29.8	TC1.5-290-XP32	61	136	-	-	-	60	32		
29.8 < D ≤ 30.8	TC1.5-300-XP32	64	139	-	-	-	60	32		

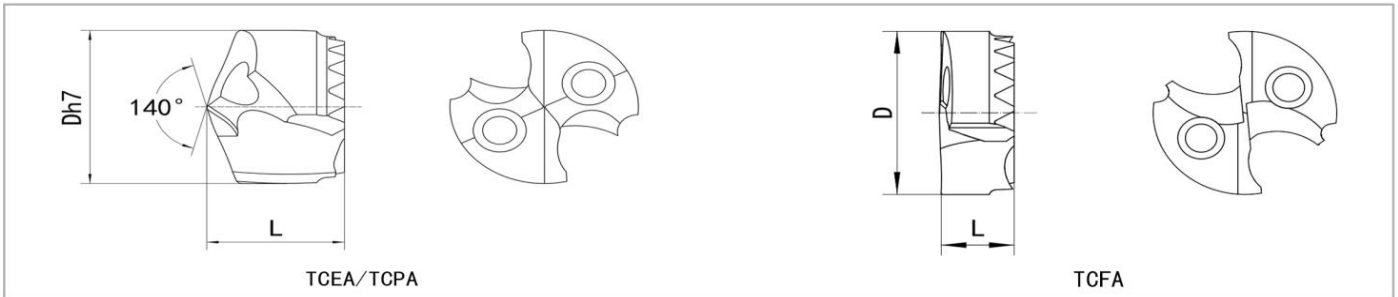
TC E A - 1200

Replaceable Tip

Geometry

Coating

Drilling Diameter



Diameter D(mm)	Code		L(mm)	Code		L(mm)
12.0	TCEA-1200	TCPA-1200	9.1	TCFA-1200		7.1
12.5	TCEA-1250	TCPA-1250	9.4	TCFA-1250		7.2
13.0	TCEA-1300	TCPA-1300	9.7	TCFA-1300		7.5
13.5	TCEA-1350	TCPA-1350		TCFA-1350		
14.0	TCEA-1400	TCPA-1400	10.3	TCFA-1400		7.9
14.5	TCEA-1450	TCPA-1450		TCFA-1450		
15.0	TCEA-1500	TCPA-1500	11.0	TCFA-1500		8.3
15.5	TCEA-1550	TCPA-1550		TCFA-1550		
16.0	TCEA-1600	TCPA-1600	11.6	TCFA-1600		8.8
16.5	TCEA-1650	TCPA-1650		TCFA-1650		
17.0	TCEA-1700	TCPA-1700	12.3	TCFA-1700		9.3
17.5	TCEA-1750	TCPA-1750		TCFA-1750		
18.0	TCEA-1800	TCPA-1800	12.9	TCFA-1800		9.8
18.5	TCEA-1850	TCPA-1850		TCFA-1850		
19.0	TCEA-1900	TCPA-1900	13.6	TCFA-1900		10.2
19.5	TCEA-1950	TCPA-1950		TCFA-1950		
20.0	TCEA-2000	TCPA-2000	14.1	TCFA-2000		10.7
20.5	TCEA-2050	TCPA-2050		TCFA-2050		
21.0	TCEA-2100	TCPA-2100	14.8	TCFA-2100		
21.5	TCEA-2150	TCPA-2150		TCFA-2150		
22.0	TCEA-2200	TCPA-2200	15.0	TCFA-2200		11.2
22.5	TCEA-2250	TCPA-2250		TCFA-2250		
23.0	TCEA-2300	TCPA-2300	15.2	TCFA-2300		
23.5	TCEA-2350	TCPA-2350		TCEA-2350		
24.0	TCEA-2400	TCPA-2400	15.4	TCFA-2400		11.3
24.5	TCEA-2450	TCPA-2450		TCFA-2450		
25.0	TCEA-2500	TCPA-2500	15.9	TCFA-2500		11.7
25.5	TCEA-2550	TCPA-2550		TCFA-2550		
26.0	TCEA-2600	TCPA-2600	16.5	TCFA-2600		12.2
26.5	TCEA-2650	TCPA-2650		TCFA-2650		
27.0	TCEA-2700	TCPA-2700	17.2	TCFA-2700		12.7
27.5	TCEA-2750	TCPA-2750		TCFA-2750		
28.0	TCEA-2800	TCPA-2800	17.8	TCFA-2800		13.2
28.5	TCEA-2850	TCPA-2850		TCFA-2850		
29.0	TCEA-2900	TCPA-2900	18.4	TCFA-2900		13.6
29.5	TCEA-2950	TCPA-2950		TCFA-2950		
30.0	TCEA-3000	TCPA-3000	19.0	TCFA-3000		14.1
30.5	TCEA-3050	TCPA-3050		TCFA-3050		
31.0	TCEA-3100	TCPA-3100	21.0	-		-
31.5	TCEA-3150	TCPA-3150		-		-
32.0	TCEA-3200	TCPA-3200		-		-